

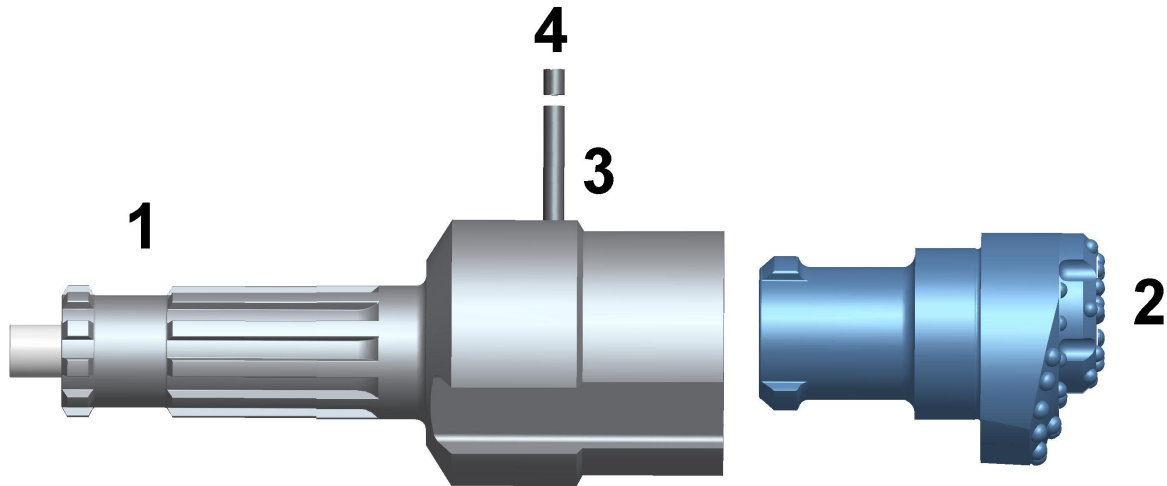
PITMEC

THE PES 240 ECCENTRIC UNDERREAMING SYSTEM



CASING SIZE 273MM OD X 260MM ID DRILLING DIA. 293MM

PNEUMEC PES 240 ECCENTRIC UNDERREAMING SYSTEM



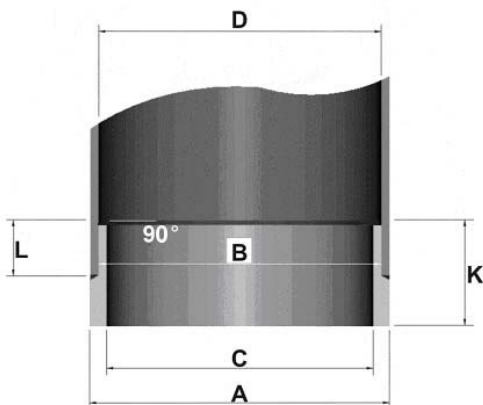
PES 240 PARTS LIST

1.	GUIDE DEVICE DHD380 SHANK	UGD240380PES
2.	ECCENTRIC BIT	UPB240PES
3.	LOCKING PIN	USP24050PES
4.	SPLIT PIN	USP24051PES
5.	COMPLETE SYSTEM	UCS240380PES

PES 240 SPECIFICATIONS

UPPER BODY DIAMETER	256MM	CLOSED DIAMETER	241M
REAMING DIAMETER	293MM	CASING SIZE	273MM OD X 260MM ID
SYSTEM LENGTH	730MM	SYSTEM WEIGHT	158KG

PES 240 CASING SHOES



DIA. A	273MM
DIA. B	256MM
DIA. C	242MM
DIA. D	260MM
L	71MM
K	115MM



PNEUMEC COMPANY LIMITED

1st Floor, Tin On Sing Comm. Bldg., 41-43 Graham St. Central, H.K.

Tel : (852) 2180 9922

Fax : (852) 2180 9982

Website : www.pneumec.com

email : info@pneumec.com